

Leda

Giant outdoor lighting fixture

Leda lights up outdoor high protection environments with a requirement for IP66 classification.

Strong material

The body of Leda is made from white polyethylene rotation moulded in one piece. The material is UV- and chemical resistant and stands up to vandalism, weather, and wear & tear.

Pleasant “moon” light

The white polyethylene body serves as a diffuser for the LED light source and provides a pleasant light without glare - like a giant moon.

Dimensions

The outer diameter is Ø 100 cm.

Mounting

Leda is easily mounting on ceilings and walls as well as suspended. An aluminium plate with the electronic components is bolted on to the ceiling or wall, and the polyethylene body is fixed to the aluminium plate.

Maintenance

The one-piece body ensures optimum protection of the electronics, and the outer surface is next to maintenance-free. The LEDs have an expected lifetime of 100.000 hours.

Design

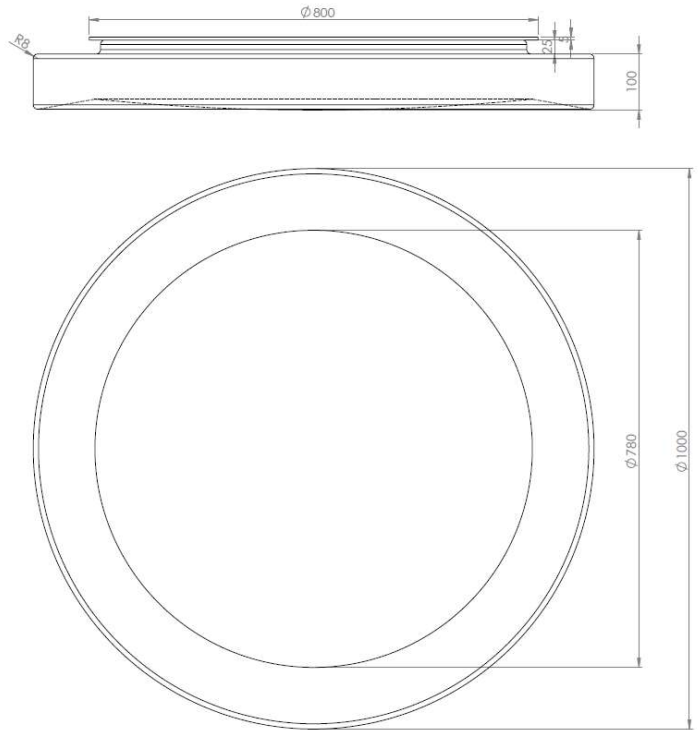
Leda is designed by Morten Lyhne for Hotel Postgaarden in Copenhagen with the objective of creating an efficient fit-for-purpose outdoor fixture, but with the graceful light of a full moon.



Hotel Postgaarden in Copenhagen, Denmark

Technical specifications

Classification: IP66/IK10
Kelvin: 3000-4000
Effect: 30-60 W
Output: 2000-6000 Lumen
CRI: +80



- Pleasant light with no glare
- Strong fixture for high protection environments
- UV and chemical resistant surface
- Easy to install
- For wall, ceiling & suspension
- Limited maintenance
- Possibility for back-light
- Possibility for other dimensions

Examples of installations in Denmark



Ceiling mounted Postgaarden, Denmark



Wall mounted Porsager, Denmark